

SEPTEMBER 1, 2005

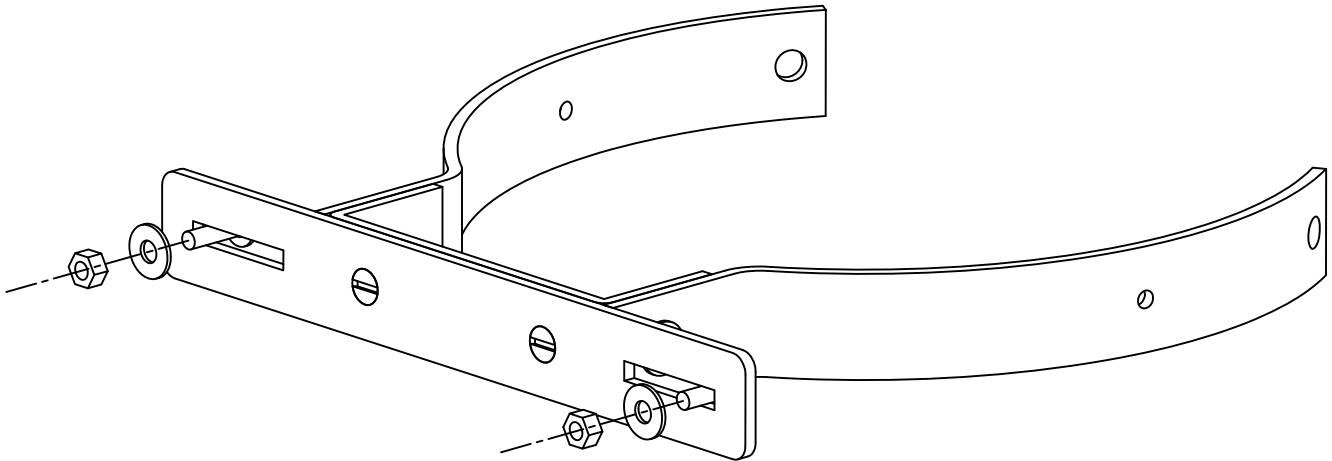
BULLETIN

PBAL-05



[www.ericksonelectric.com](http://www.ericksonelectric.com)

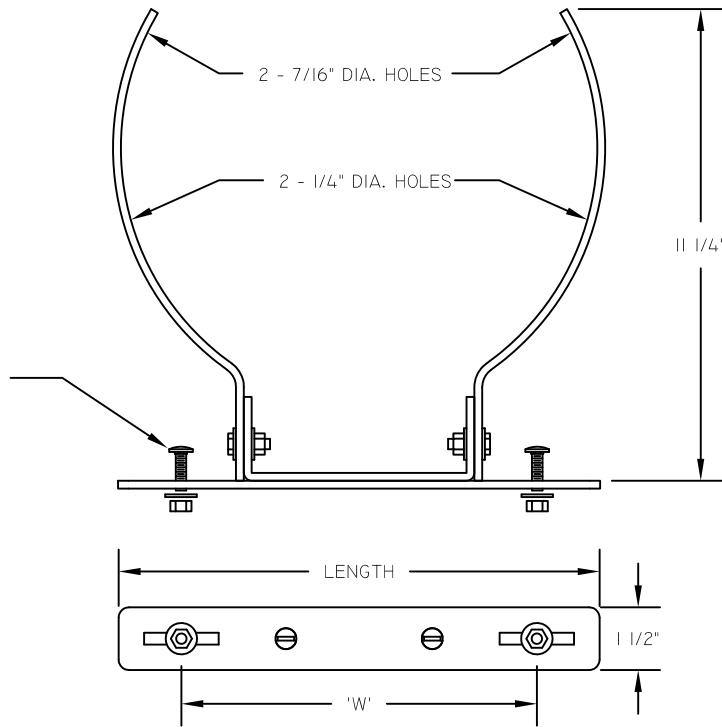
# POLE BRACKET FOR MOUNTING METER FITTINGS TO UTILITY POLES



POLE BRACKET  
ASSEMBLY

**ERICKSON ELECTRICAL EQUIPMENT CO.**  
475 BONNIE LANE • ELK GROVE VILLAGE, IL 60007  
TELEPHONE: (847) 640-7701 / 1-800-952-7225  
FAX: (847) 640-0565

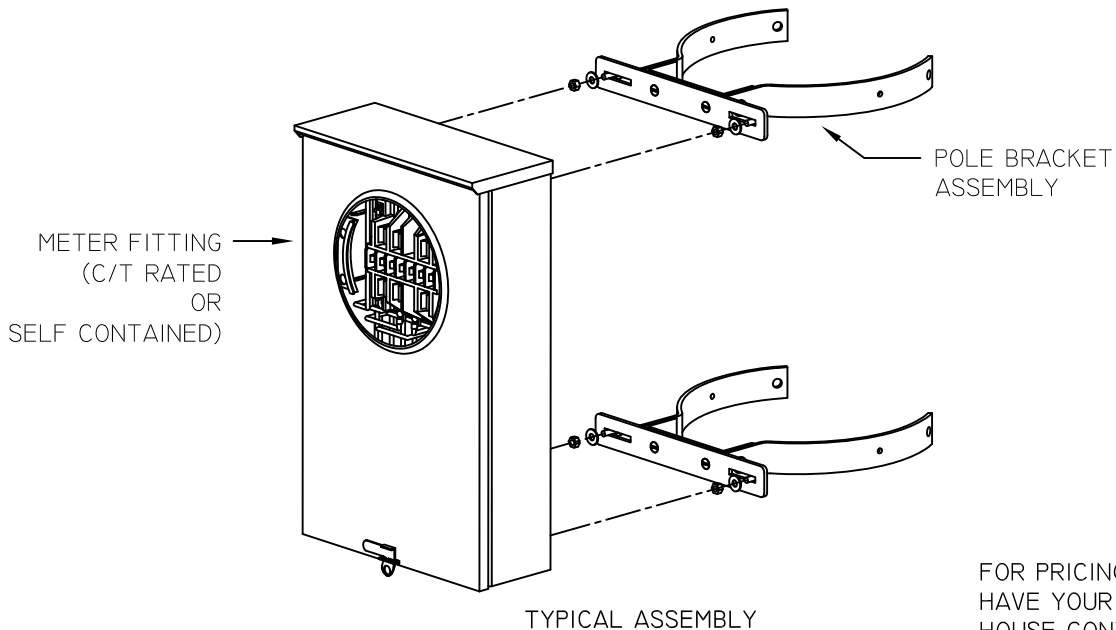
STAINLESS STEEL  
1/4"-20 x 3/4"  
CARRIAGE BOLT  
WITH FLAT WASHER  
AND NYLOC - NUT



ALL PARTS  
FABRICATED  
OF 3/16" x 1 1/2"  
ALUMINUM BAR

* CATALOG #	LENGTH	W = RANGE OF METER FITTING MOUNTING BOLTS
PBAL-8	8"	6" MIN - 7" MAX
PBAL-12	11 1/2"	7" MIN - 10" MAX
PBAL-14	13 1/2"	9 1/2" MIN - 12" MAX

\* CAT# IS FOR ONE BRACKET ONLY - NOT IN PAIRS



FOR PRICING INFORMATION PLEASE  
HAVE YOUR ELECTRICAL SUPPLY  
HOUSE CONTACT US AT  
SALES@ERICKSONELECTRIC.COM

**ERICKSON ELECTRICAL EQUIPMENT CO.**  
475 BONNIE LANE • ELK GROVE VILLAGE, IL 60007  
TELEPHONE: (847) 640-7701 / 1-800-952-7225  
FAX: (847) 640-0565

ALL SALES MUST GO THROUGH  
ELECTRICAL DISTRIBUTION

POLE BRACKET DESCRIPTION OF USE:

ALL PBAL POLE BRACKETS ARE DESIGNED TO BE MOUNTED TO STANDARD WOODEN UTILITY POLES, WHICH ARE GENERALLY APPROX. 10" IN DIAMETER. HOWEVER, THEY WILL ACCOMMODATE SLIGHTLY SMALLER OR LARGER DIAMETER POLES.

THE "W" DIMENSION REFERS TO THE CENTERS OF THE MOUNTING HOLES FOR THE ENCLOSURE THAT IS TO BE MOUNTED TO THE POLE. IT DOES NOT REFER TO THE DIAMETER OF THE POLE.

THE DESIGNED USE OF THE PBAL BRACKET IS FOR MOUNTING UTILITY METER ENCLOSURES TO THE POLE. THEY CAN BE USED TO MOUNT ANY TYPE OF ELECTRICAL ENCLOSURE TO A UTILITY POLE, BUT THERE IS NO WEIGHT SPECIFICATION. THE TYPICAL WEIGHT OF THE METER THAT THE BRACKET IS DESIGNED TO HOLD IS APPROX. 20-30 LBS.

FOR PRICING INFORMATION PLEASE HAVE YOUR ELECTRICAL SUPPLY HOUSE CONTACT US AT SALES@ERICKSONELECTRIC.COM.

ALL SALES MUST GO THROUGH ELECTRICAL DISTRIBUTION.

**ERICKSON ELECTRICAL EQUIPMENT CO.**  
**475 BONNIE LANE • ELK GROVE VILLAGE, IL 60007**  
**TELEPHONE: (847) 640-7701 / 1-800-952-7225**  
**FAX: (847) 640-0565**